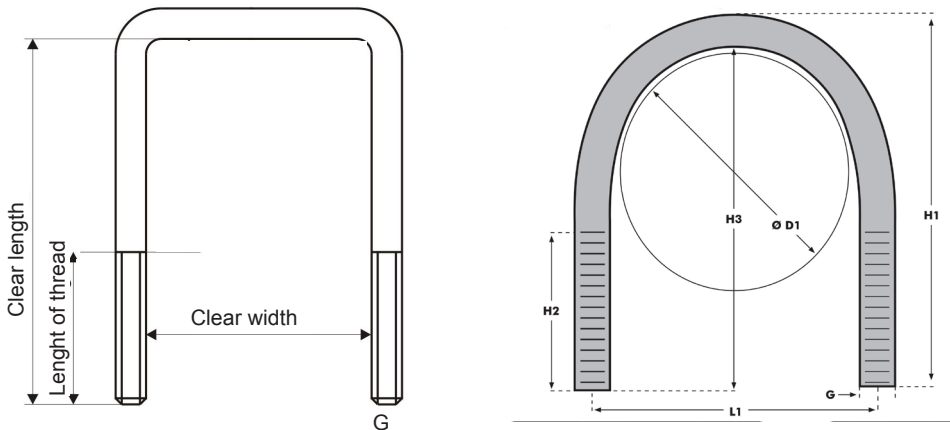


Inquiry U-Bolt/Rectangular U-Bolt special dimension

Please enter the measurements you require.

For your information:

- The bolts are offered in thin shaft with rolled thread
- Shaft made of solid material with cut thread available at extra cost
- Please provide information about surface finishing. All common surfaces / rust protection are possible, such as zinc-plated, yellow chromated, zinc flake coating, etc.



Please fill out:

Clear width	Surface
Clear hight	Material
Thread	Quantity

Please mark:

Rectangular U-Bolt U-Bolt

Your contact details:
